



**GENERAL**

- Local backlit LCD display provides indication of all control activities
- Magnetic liquid level gauge with 0.5 - 4.5 output voltage Assembly is UL 508A listed
- On / Off Switches
- Single or duplex pumping system
- Return pumping system
- Remote mount controller up to 100 ft away from fuel tank
- NEMA 4X cabinet encloses the display, relays, controls & power connections
- Latching relays – remain latched even in the event of a power loss
- Alarm indications for low, critical low, high and critical high fuel levels
- Redundant high fuel level switch

*(independent of float assembly)*

**CONTROL PANEL**  
*(Internal Functions)*

- **Manual Control:** Test function allows operator to manually run each pump and test lights for correct operation
- **LCD Display:** Backlit display initiated upon key press
- Built in time function which is redundant to float assembly for pump ON/OFF
- **Alarm History:** Time and date stamped alarms
- **Indicator Light:**  
Power = White  
Pump Running = Green  
Fault = Red
- **Audible Horn:** Activated upon fault condition
- **MODBUS Communications Module (Optional),** RS485 / ASCII RTU removable Memory – EEPROM cartridge
- **Controller program** can be modified to meet a specific specification

**ENCLOSURE**

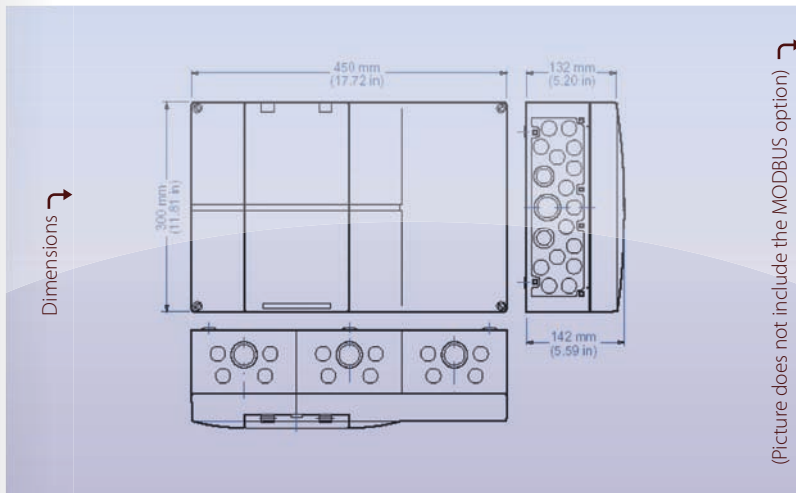
- Protection level: NEMA 4X (IP65)
- Technical: Sidewall knockouts
- Double membrane seals
- Tinted transparent door
- Enclosure material: Polystyrene
- Door Material: Polycarbonate
- Gasket Material: Polyurethane
- Temperature Range: -40°F to 158°F (-40°C to 70°C)
- Color: Light Gray
- Dimensions: 11.81" WX 17.72" H X 5.59" D

**ELECTRICAL**

- **Circuit Protection:** 1 Amp, single pole
- **Control Logic Voltage:** 120 VAC, single phase incoming / 24 VDC control logic
- **Current Logic Current:** 1 amp Max
- **Motor Switching Voltage:** 110 to 240 VAC, single phase and 208 to 240 VAC, three phase
- **Max Motor Switching Current:** 20 Amps
- Refer to ACS wiring diagram for interconnection

Part No.	System Description
TCSP5100	Single Supply
TCSPR5100	Single Supply with Return
TCDP5100	Duplex Supply
TCDPR5100	Duplex Supply with Return
TC5100	Control Only

*(Note: MODUS module is optional. Add the letter "M" to the part to include the option)*



Picture does not include the MODBUS option

